

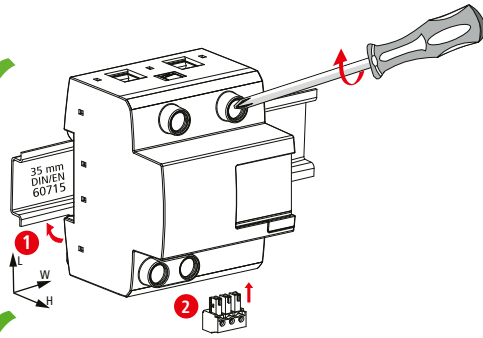
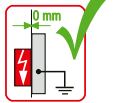
DEHNcombo DCB YPV ... (FM)

- DE Einbauanleitung
- GB Installation instructions
- IT Istruzioni di montaggio
- FR Instructions de montage
- NL Montagehandleiding
- ES Instrucciones de montaje
- PT Instruções de montagem
- DK Monteringsvejledning
- SE Monteringsanvisning
- FI Asennusohje
- GR Οδηγίες συναρμολόγησης
- PL Instrukcja montażu
- CZ Montážní návod
- TR Kurulum Talimatları
- RU Инструкция по монтажу
- CN 安装说明
- HU Szerelési útmutató
- JP 設置説明書



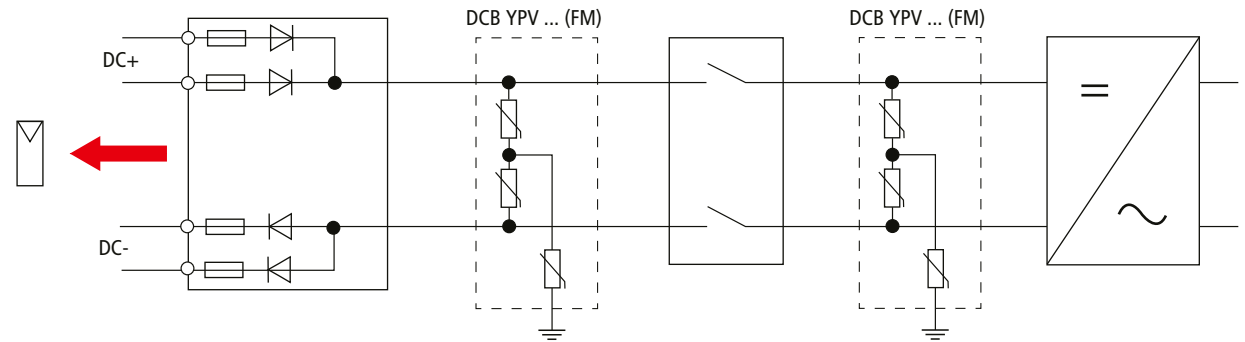
I+II IEC 61643-31
1+2 EN 61643-31

PZ 2 4 Nm

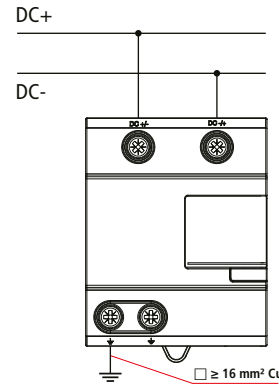


| | DCB YPV 1200 (FM) | DCB YPV1500 (FM) |
|--|--------------------------|--------------------------|
| $U_{CPV} (DC+ \leftrightarrow DC-)$ | $\leq 1200 \text{ V DC}$ | $\leq 1500 \text{ V DC}$ |
| $U_{CPV} (DC+/DC- \leftrightarrow PE)$ | $\leq 1200 \text{ V DC}$ | $\leq 1500 \text{ V DC}$ |
| I_{total} | 12.5 kA (10/350 μ s) | |
| I_{imp} | 6.25 kA (10/350 μ s) | |
| I_n | 20 kA (8/20 μ s) | |
| I_{max} | 40 kA (8/20 μ s) | |
| I_{SCPV} | 10 kA | |
| I_{CPV} | $\leq 100 \mu\text{A}$ | |
| $I_{PE, AC}$ | $\leq 800 \mu\text{A}$ | |
| $I_{PE, DC}$ | $\leq 100 \mu\text{A}$ | |
| θ | -40°C ... +80°C | |
| φ | 5% ... 95% | |
| IP 1) | 20 | |
| failure behavior | open circuit | |
| Ausfallverhalten | Abtrennung | |
| L x W x H | 72 mm x 90 mm x 73 mm | |

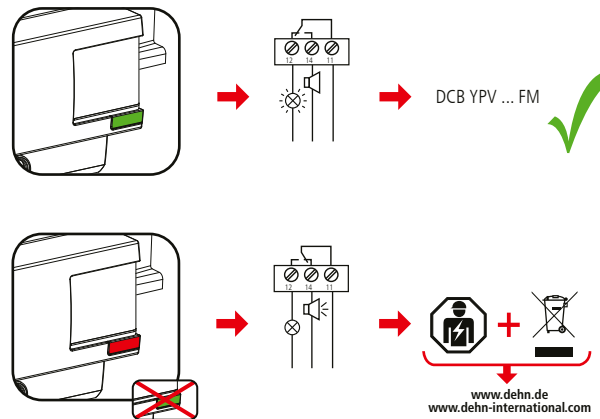
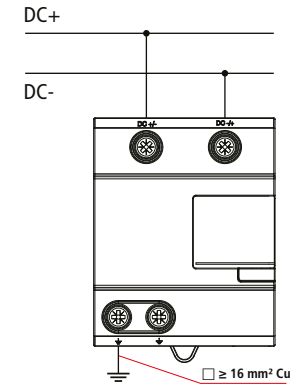
| | | | |
|--|---------------------|--------------------|-------|
| min. \square DC+ / -, DC-/+, \perp | 12 mm | 12 mm | 12 mm |
| | 1.5 mm ² | | |
| max. \square DC+ / -, DC-/+, \perp | | | |
| | 25 mm ² | 35 mm ² | |



DCB YPV 1200 (FM)



DCB YPV 1500 (FM)



www.dehn.de
www.dehn-international.com

| DCB YPV ... FM | |
|----------------|--|
| | U_N / I_N AC: 250 V / 0.5 A |
| | DC: 250 V / 0.1 A 125 V / 0.2 A 75 V / 0.5 A |
| | max. 1.5 mm ² |

