



Meaningful Innovation.

WEEE Number: 80133970

# INSTRUCTION MANUAL

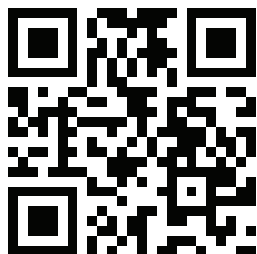
## BATTERY RACK



SKU	DESCRIPTION
11556	BATTERY RACK FOR 5kWh-ONE LAYER ADAPT TO VT48100E-P2
11557	BATTERY RACK FOR 9.6kWh-ONE LAYER ADAPT TO VT48200B
11558	TOP COVER - VT48100E-P2
11559	TOP COVER - VT48200B

### INTRODUCTION

Thank you for selecting and buying V-TAC Product. V-TAC will serve you the best. Please read these instructions carefully & keep this user manual handy for future reference. If you have any another query, please contact our dealer or local vendor from whom you have purchased the product. They are trained and ready to serve you at the best.

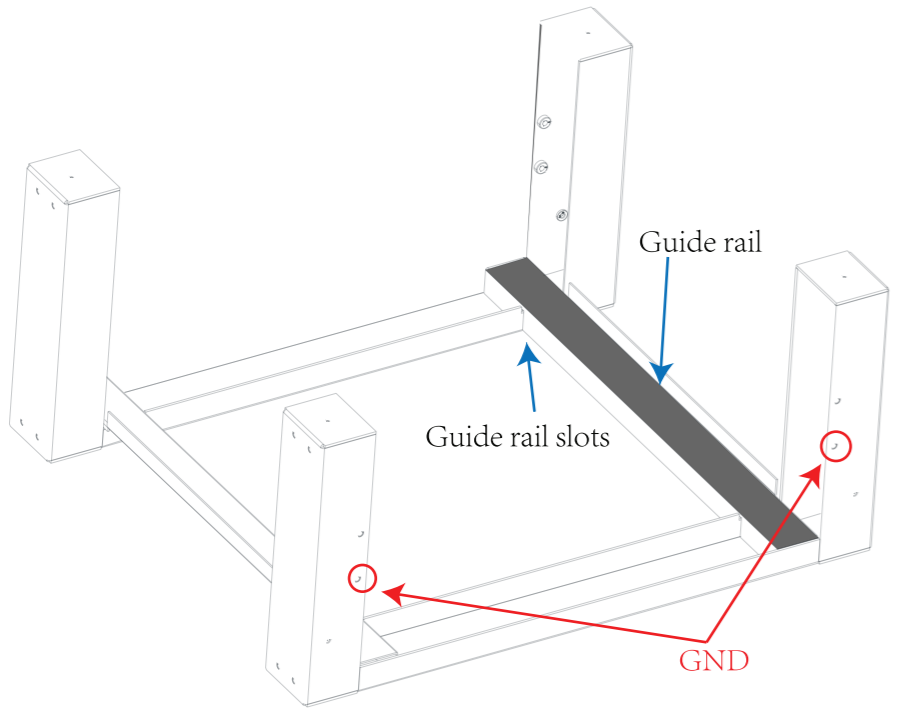


#### MULTI-LANGUAGE MANUAL QR CODE

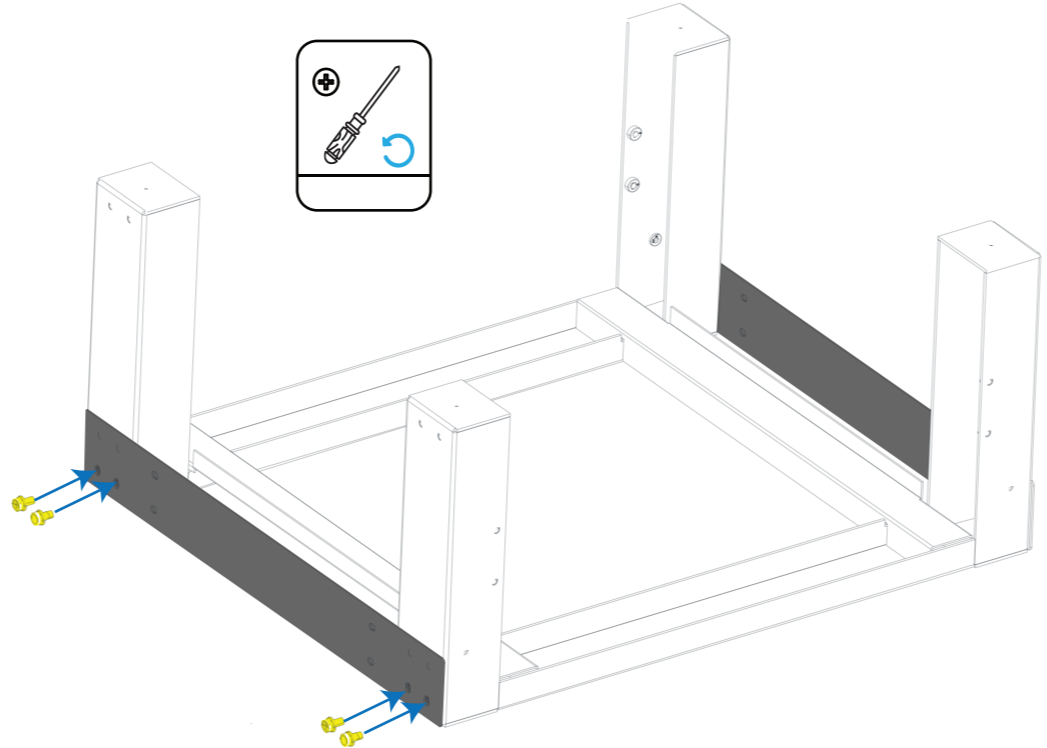
Please scan the QR code to access the manual in multiple languages.

IN CASE OF ANY QUERY/ISSUE WITH THE PRODUCT, PLEASE REACH OUT TO US AT: [SUPPORT@V-TAC.EU](mailto:SUPPORT@V-TAC.EU)  
FOR MORE PRODUCTS RANGE, INQUIRY PLEASE CONTACT OUR DISTRIBUTOR OR NEAREST DEALERS.  
V-TAC EUROPE LTD. BULGARIA, PLOVDIV 4000, BUL.L.KARAVELOW 9B

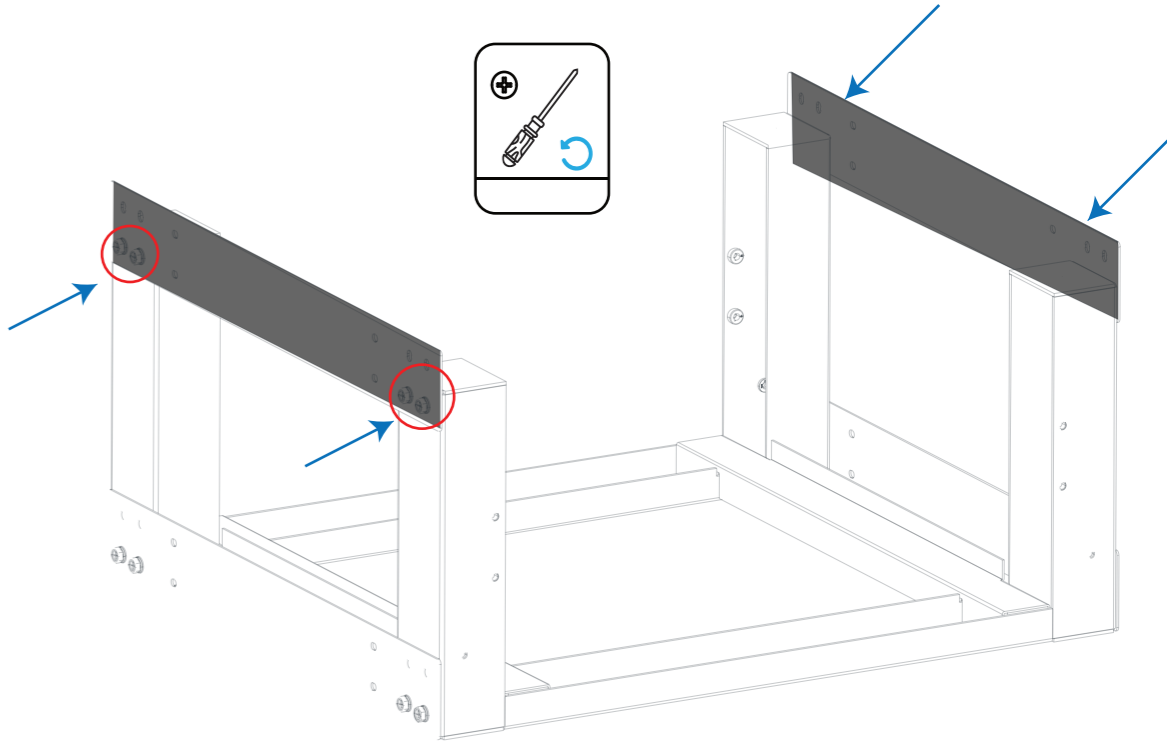
**Step 1:** Place the rack as shown, limit the positions with the guide rail slots (the sides with ground connection nuts should face outward).



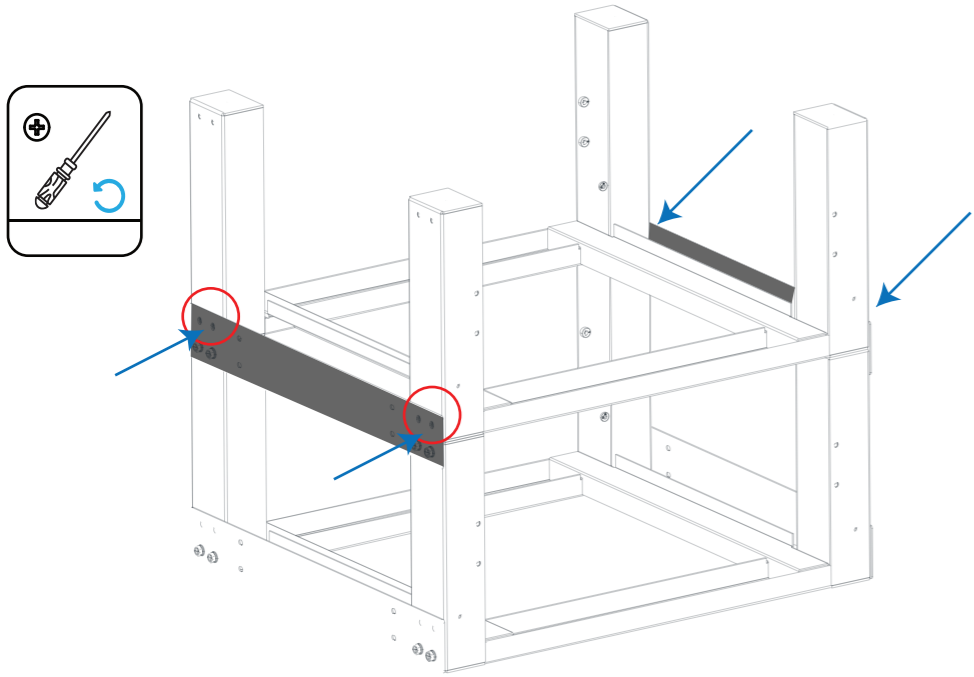
**Step 2:** Mount the connecting strip, fix the connecting strip (waist hole) to the bottom of the rack with M6 screws.



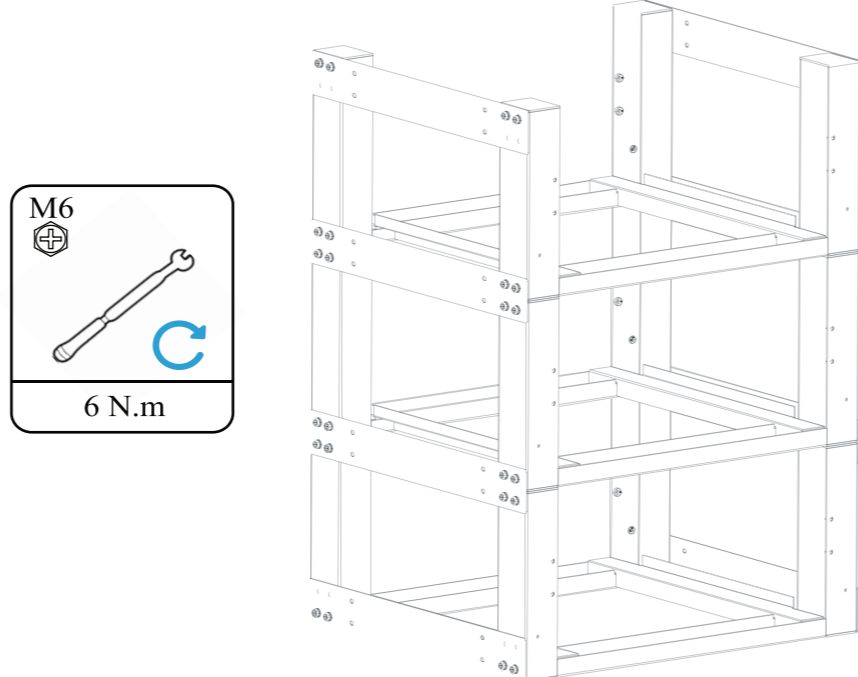
**Step 3:** Mount the connecting strip, fix the connecting strip (round hole) to the top of the rack with M6 screws.



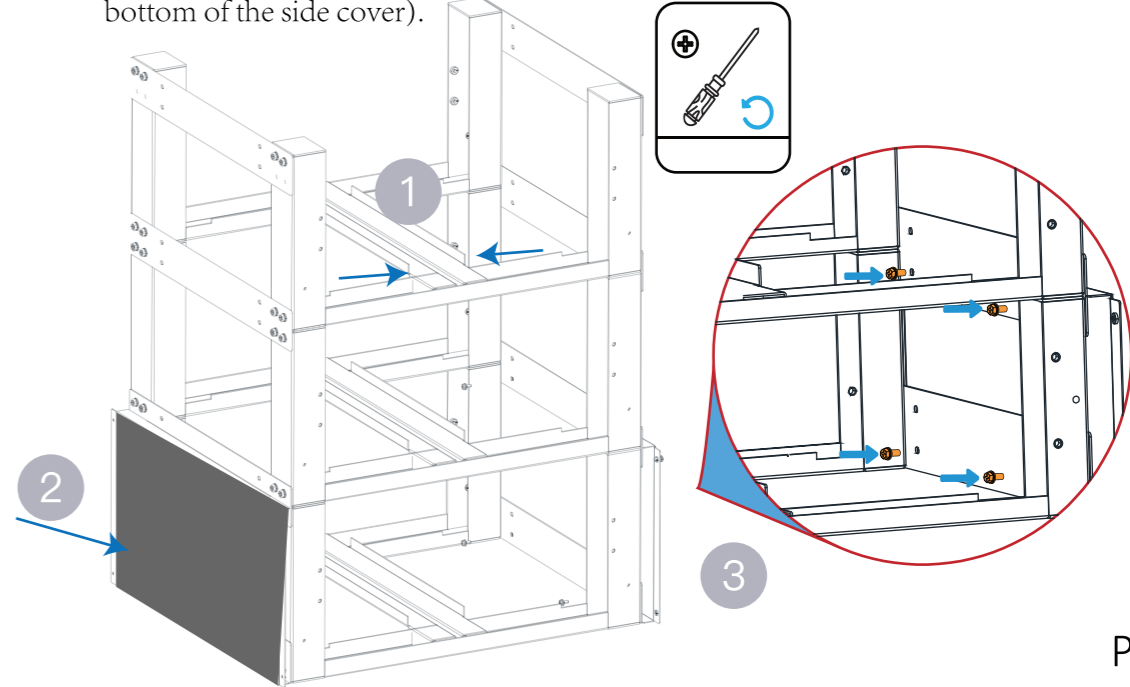
**Step 4:** Place the second layer rack, limit the positions with the guide rail slots, and fix the connecting strip (waist hole) to the bottom of the second layer rack. Note: The two adjacent layers of racks should be vertical aligned.



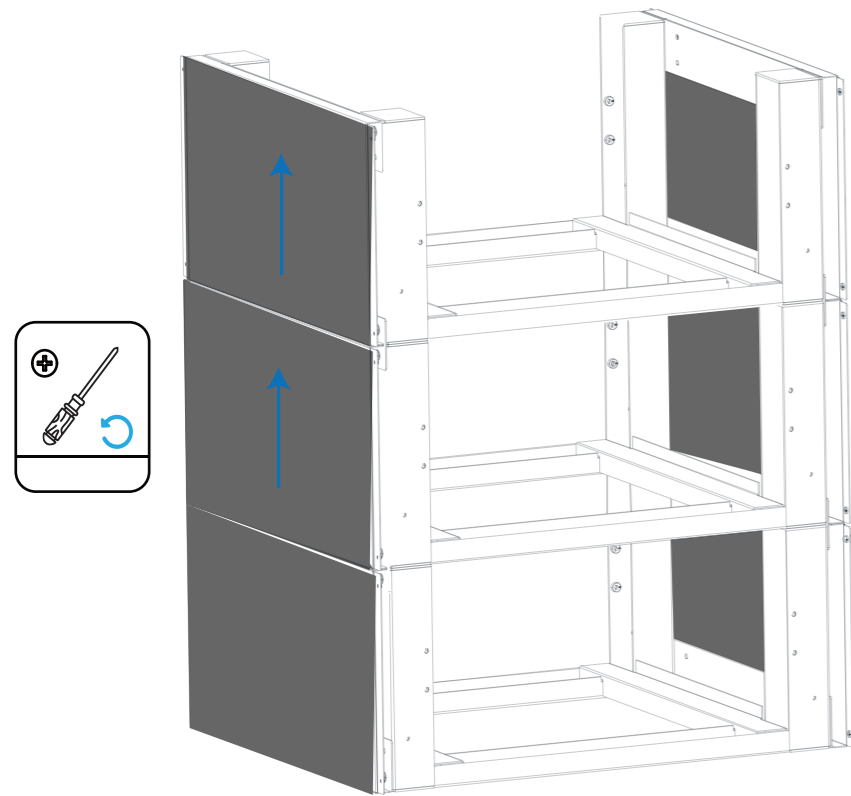
**Step 5:** Mount the racks in order to the required number of layers (up to three layers) according to the above method, ensure that the racks are aligned in all directions, then tighten the M6 screws (recommended torque 6N.m) on the rack connecting strip with a spanner.



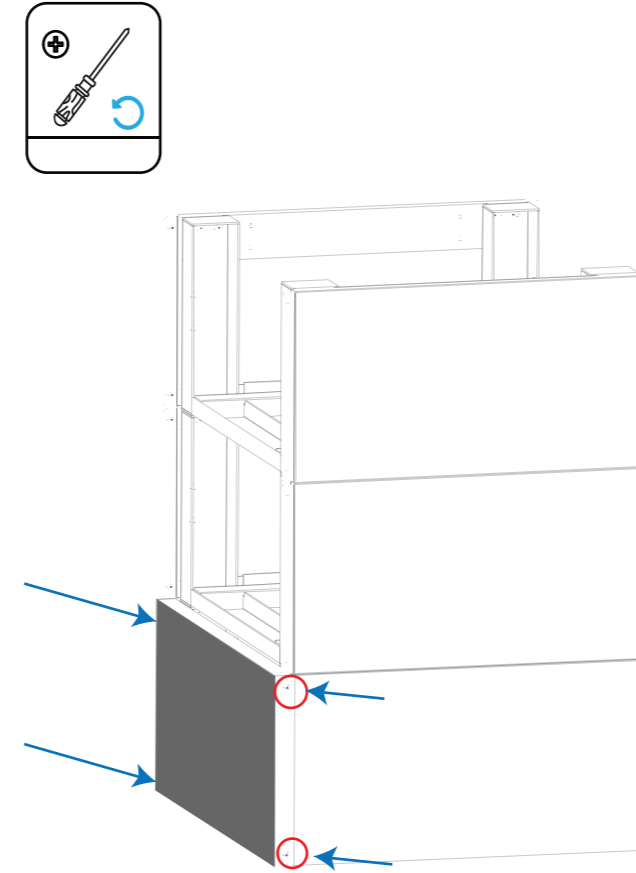
**Step 6:** Remove the guide rail, mount the side cover, fix the side cover to the connecting strip with M4 screws from the inner side. Note: After the bottom side cover is fixed, the bottom surface should be even with the bottom of the rack (the connection strip's waist hole can slightly adjust the position of the top and bottom of the side cover).



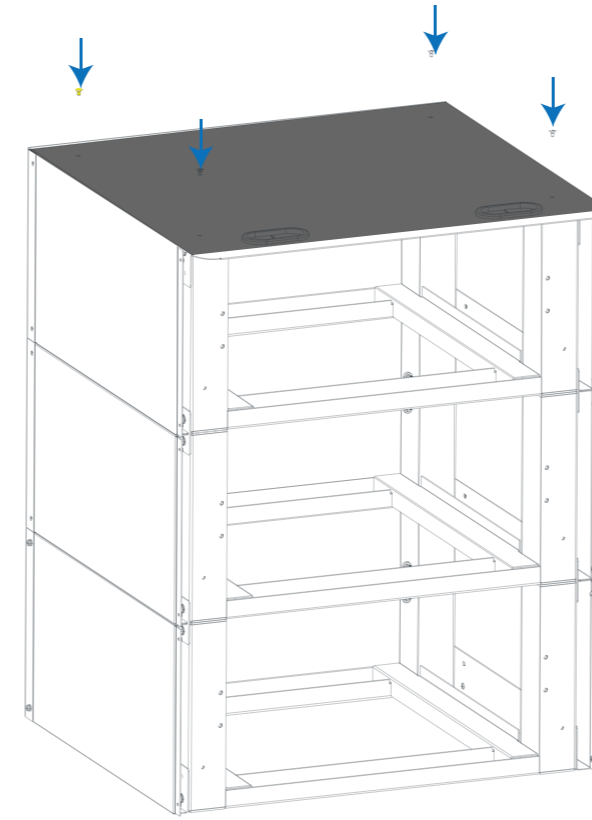
**Step 7:** Mount the side covers in order, please ensure that the edge lines of the upper and lower side covers are aligned.



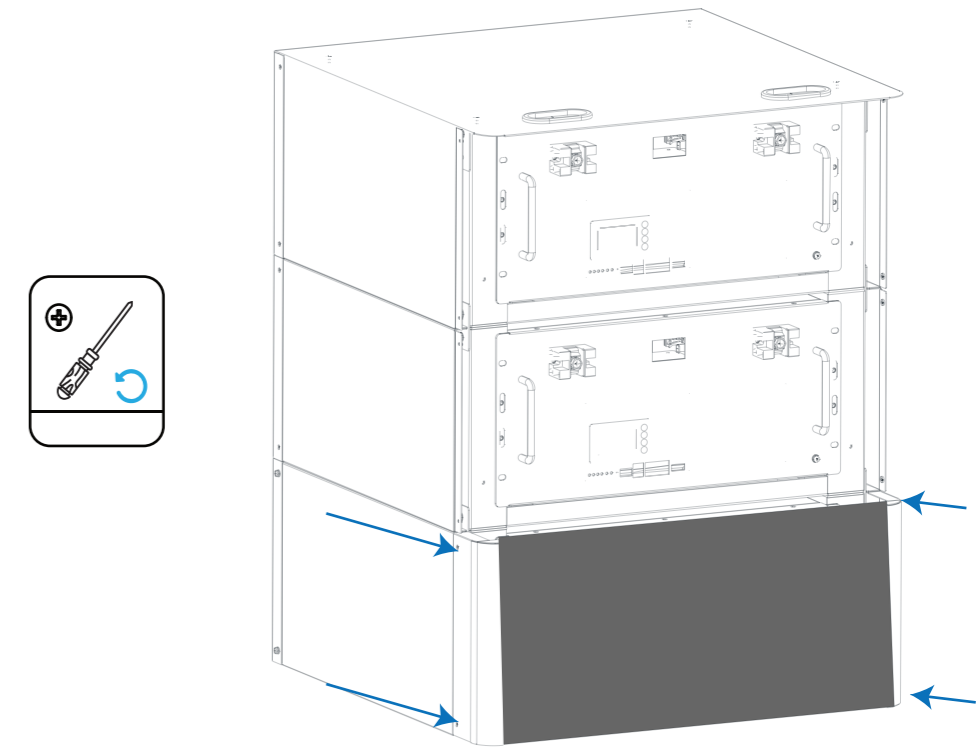
**Step 8:** Mount the rear cover.



**Step 9:** Mount the top cover.



**Step 10:** Mount the front cover to complete the installation.



Note:

1. Before mounting the front cover, please install the modules in order from bottom to top, fix the modules and connect the relevant harnesses.
2. M8 expansion screw holes need to be reserved at the bottom of the rack, which can be installed and positioned according to your needs.