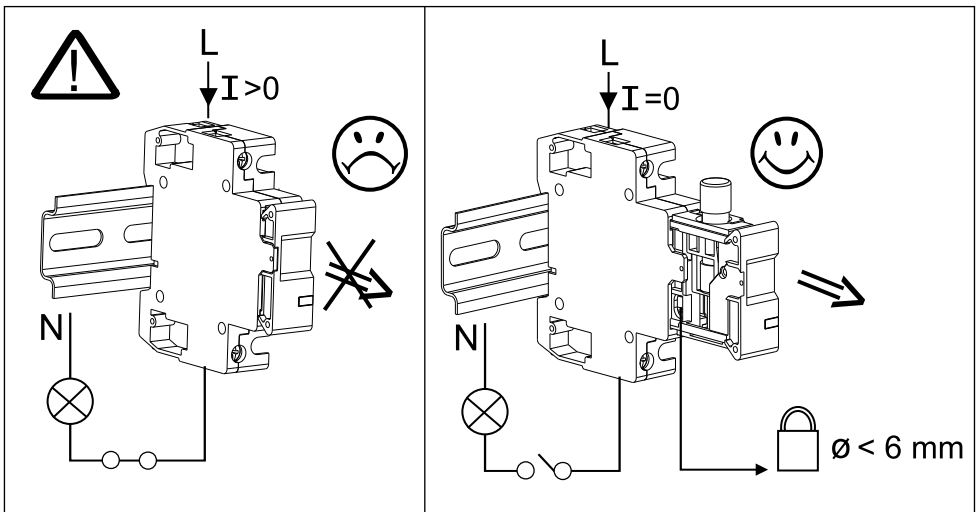
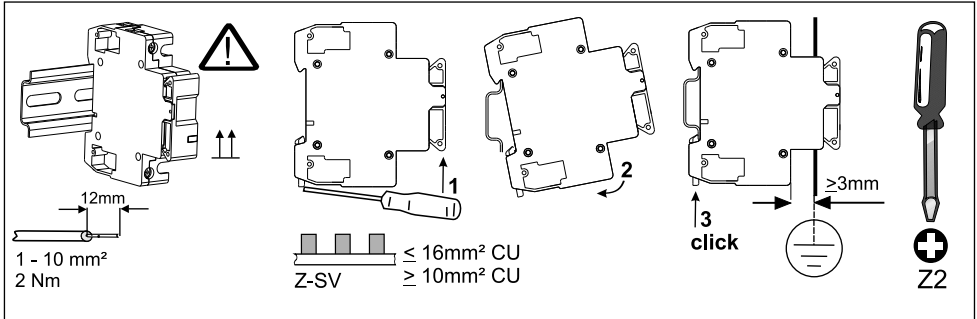

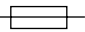
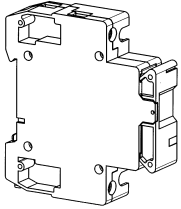

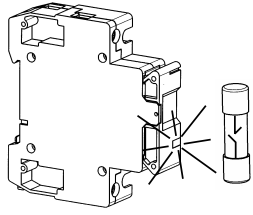
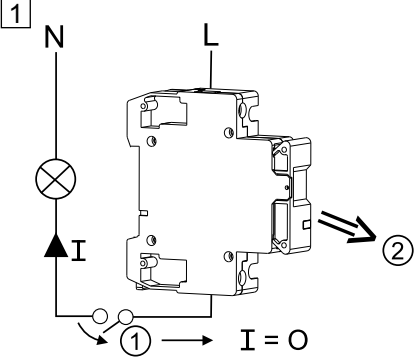
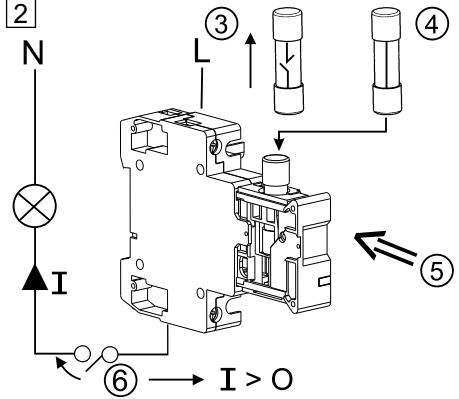


Z-SH



<p>∅ 10,3 x 38 mm</p>  <p>10 A 16 A 20 A 25 A 32 A</p> <p>$P_v < 3,2 W$</p> 	1p.	1p.+N	2p.	3p.	3p.+N
 	Z-SH/1	Z-SH/1N	Z-SH/2	Z-SH/3	Z-SH/3N
	Z-SHL/1	Z-SHL/1N	Z-SHL/2	Z-SHL/3	Z-SHL/3N
<p>1</p>  <p>$I = 0$</p>	<p>2</p>  <p>$I > 0$</p>				

