

V AC, V DC, Hz, %

(a) 0x MODE

V
~
242.3
0 10 20
AUTO

(b) 1x MODE

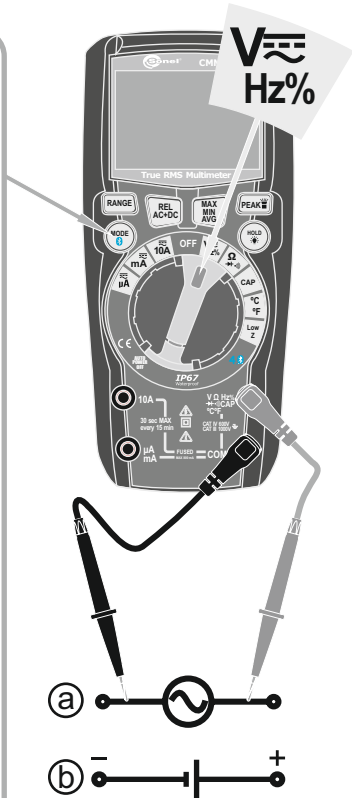
V
=
1.455
0 10
AUTO

(a) 2x MODE

Hz
50.00
AUTO

(a) 3x MODE

%
50.03
AUTO



Ω \rightarrow

(a) 0x MODE

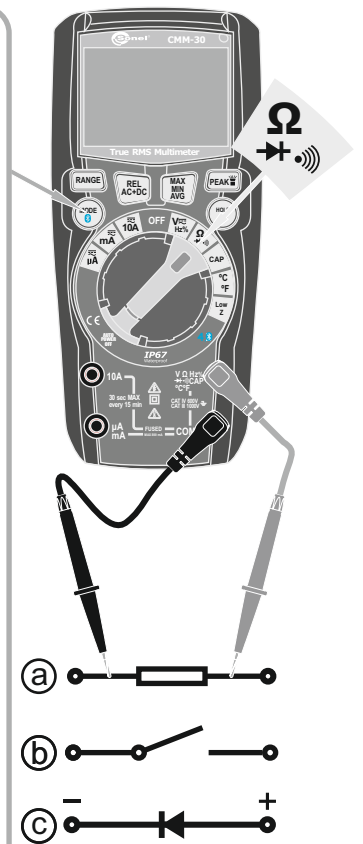
Ω
0.4
0
AUTO

(b) 1x MODE

Ω
0.2
0
AUTO

(c) 2x MODE

V \rightarrow
18.13
AUTO



CAP

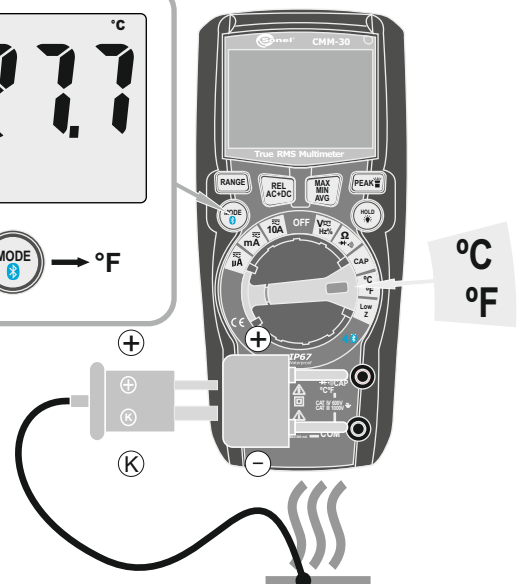
nF
0.0
0
AUTO



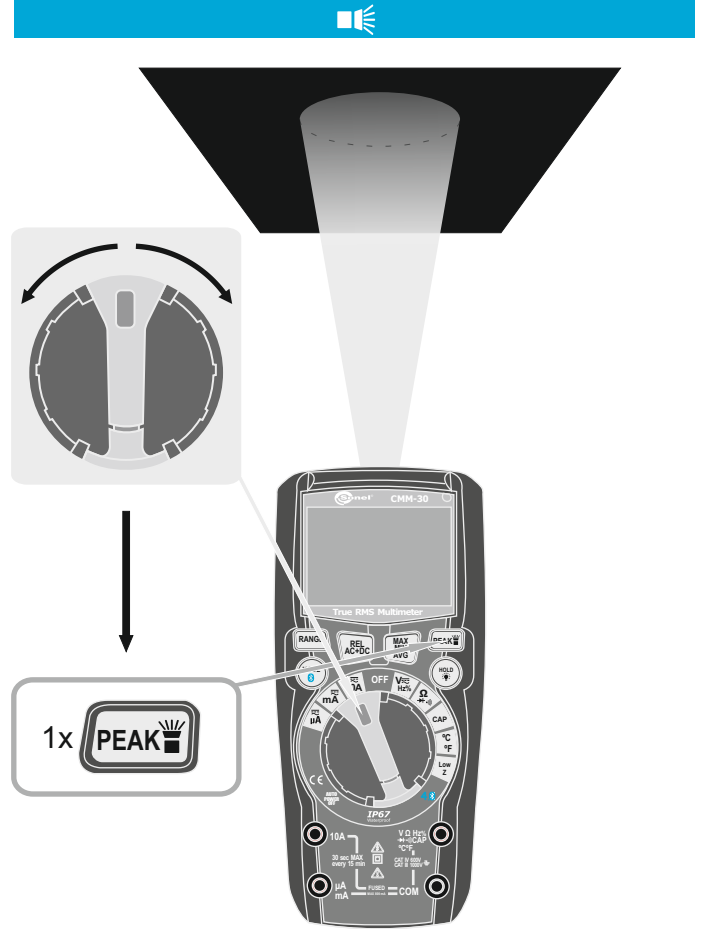
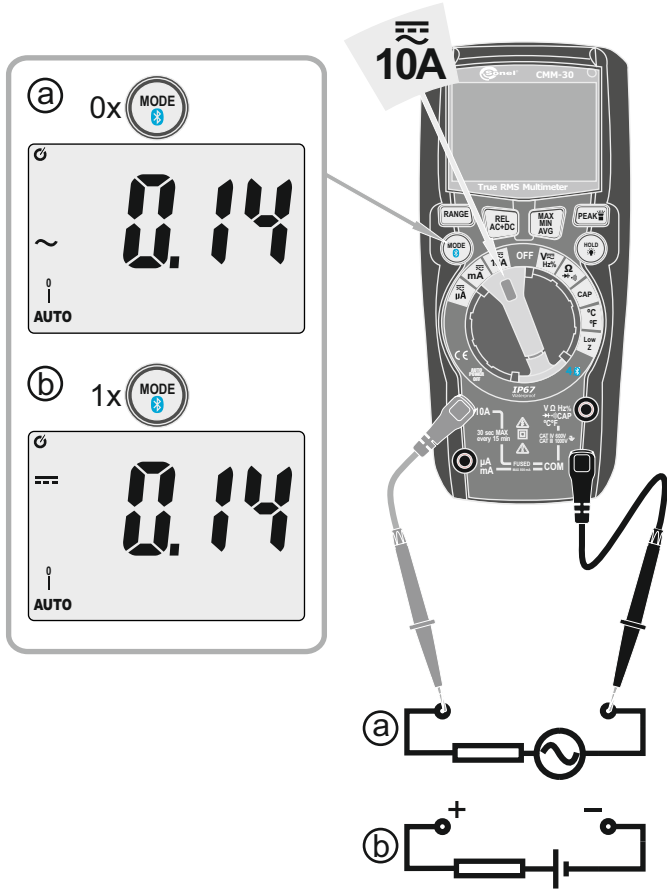
$^{\circ}$ C $^{\circ}$ F

$^{\circ}$ C
27.7
AUTO

$^{\circ}$ C \rightarrow MODE \rightarrow $^{\circ}$ F



A AC/DC - 10A



A AC/DC - mA, μ A

